

IWTRhT

AMBIENT TEMPERATURE & RH WIRELESS TRANSMITTER



The IWTRhT ambient temperature and relative humidity transmitter has been designed to operate with the IWR range of wireless receivers.

Either ambient temperature alone or both temperature and humidity measurements can be specified. (see IWTT)

Typically the unit transmits the measured values back to a IWR-PORT which can be connected to an Ethernet or RS-232/485 communications network.

The unit is specially designed to maximize battery life and in a typical application the battery life can exceed three years.

Two mounting head styles are available, an industrial wall or ceiling mounting unit or a commercial style version.

Accessories include a DIN rail mounting clip and cap retaining strap.

Features

- Measures ambient temperature and relative humidity
- High accuracy
- Long battery life
- User selectable update rates
- Based on IEC 802.15 protocol

SPECIFICATIONS

Technical

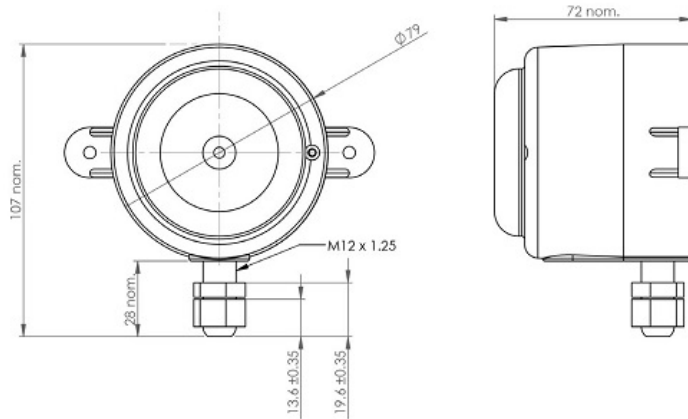
Parameter	Min	Typ	Max	Comments
Supply Voltage		3.6V		Battery powered
Supply Current (mA)			40	When transmitting data
Battery Life		100kΩ		Dependent on upgrade rate
Ambient Temperature Range	-40°C		80°C	
Relative Humidity Range	0%		100%	
Temperature Accuracy		±0.5°C		At 30°C
Relative Humidity Accuracy		±3%		Between 10 and 90% RH

Enclosure Styles

Style	Industrial Head
Orientation	Any
Wall/Ceiling Mounting	2 x 3mm screws
Enclosure Size	85mm dia x 57mm deep
Weight	Approx 70g

DIMENSIONS

All dimensions are in millimeters



Example : IWTRhT

ORDERING OPTIONS

Please supply

Part Number: IWTRhT

Five Channel Configuration Software*: IWR-Set

*Download free user configuration software: