

IWCTT SERIES

INDUSTRIAL WIRELESS CURRENT TRANSFORMER TRANSMITTER



Typical Applications Include

- Simple cable replacement installation
 - dispense with expensive and tortuous cable runs
- Service Contract
 - temporary installation for servicing and field trials
- Rotating Machinery
 - Transmit signals to/from rotating machinery without slip rings etc.

SPECIFICATIONS

Transmitter Output

*Transmission Frequency	2.4 Ghz using ISM bands
Transmit Power	18 dBm
System Channel	User selectable via DIL switch
Antenna	Integral OdBi

*Compliant with EN 300 328, V1.8.1

Material Specifications

Wireless Enclosure Material	Plastic
Weight	150g including battery
*Installation position	Any
Environmental protection	Designed to IP68 (not recommended for submersion due to signal loss)

*Consult installation manual to ensure adequate signal path between transmitter and receiver

The IWCTT Wireless Transmitter is a cost effective alternative to traditional wiring that offers the advantages of a low-cost installation in inaccessible and expensive installation environments. Operates with any Split Core current transformer which gives a mV AC output, typically 333mV.

It is easily paired to any of the range of IWR receivers - thus offering a "plug and play" solution to your current measuring application.

The IWCTT sensor should be used with any of the IWR range of receivers. A line-of-sight range of up to 500 m is possible depending on the wireless receiver used (refer to specific receiver datasheets for further information).

Features

- Operates with mV AC output current transformers
- Up to 500 m line-of-site range (depending on receiver)
- Five-year battery life at 10 second transmission update rate
- Simple DIL switch pairing with the single or five channel receiver
- User-selectable transmission update rates
- A range of receivers are available
- Receiver clean contacts provide process alarm functions

Instrument Power Source

Battery Type	User replaceable Lithium C cell
Battery Life	Five years at 10 second update rate
Battery Shelf Life	10 years

Temperatures

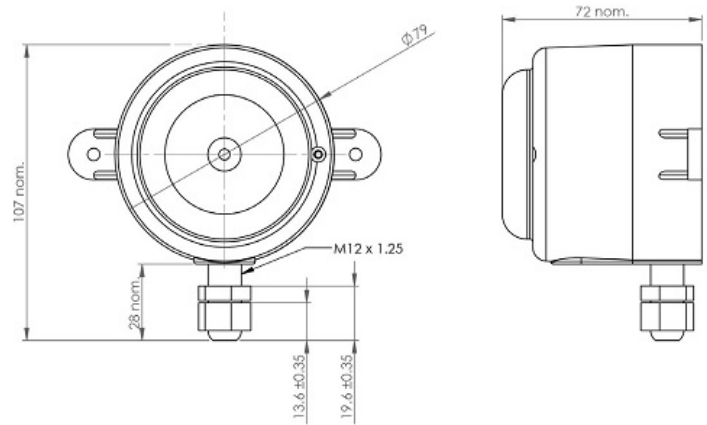
Ambient Temperature range	-20°C to +50°C
Storage Temperature	-20°C to +80°C

Input/Output Signals

Input (transmitter)	mV AC from an AC current transformer
Receiver Part Number	Receiver Outputs
IoT Gateway	Built-in cellular modem allows all data to be sent to remote servers
IWR-PORT	RS-232 or RS-485 or Ethernet MODBUS Communications. Up to 128 off analog 4-20 mA or Relay outputs can be obtained by fitting extra ISOSLICE I/O modules
IWR-USB	Displays & Logs data on any PC running IWR-USB software
IWR-5	5 off 4-20 mA or 1-5 V dc and 1 Relay output
IWR-1	1 off 4-20 mA and 1-5 V dc and 1 Relay output

DIMENSIONS

All dimensions are in millimeters



***Transmission Update Rate 1, 5, 10 and 30 seconds

*** Consult installation manual for set-up:

- single channel system is DIL switch configurable
- five channel system requires set-up using "IWR Set" user software

ORDERING OPTIONS

Wireless transmitter	IWCTT-00
Spare battery	IBAT-1
Receivers	See IoT Gateway, IWR-1, IWR-5, IWR-PORT and IWR-USB datasheets
Five Channel Configuration Software	IWR-Set (free download*)