

## IWTaT

### AMBIENT TEMPERATURE WIRELESS TRANSMITTER



The IWTaT ambient temperature transmitter has been designed to operate with the range of IWR wireless receivers.

Either ambient temperature alone or both temperature and humidity measurements can be specified. Typically the unit transmits the measured values back to a IWR-PORT which can be connected to an Ethernet or RS-232/485 communications network. For temperature and humidity see the IWTRhT.

The unit is specially designed to maximise battery life and in a typical application the battery life can exceed two years.

#### Features

- Measures ambient temperature
- High accuracy
- Choice of enclosure types
- Long battery life
- User selectable update rates
- Based on IEC 802.15 protocol

## SPECIFICATIONS

### Technical

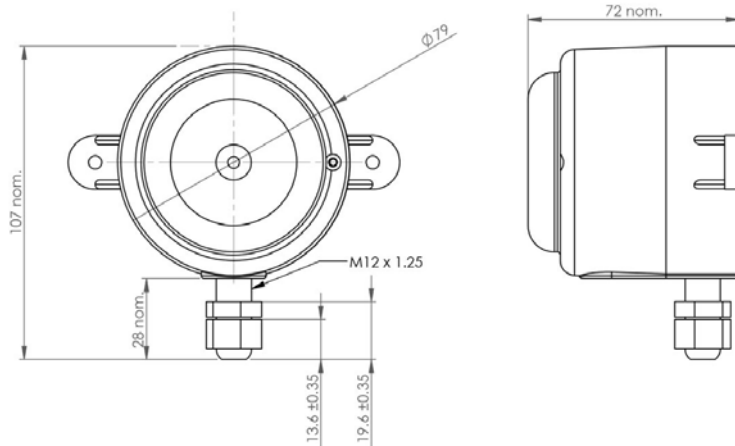
Parameter	Min	Typ	Max	Comments
Supply Voltage		3.6V		Battery powered
Supply Current (mA)			40	When transmitting data
Battery Life		100kΩ		Dependent on upgrade rate
Ambient Temperature Range	-40°C		80°C	
Relative Humidity Range	0%		100%	
Temperature Accuracy		±0.5°C		At 30°C
Relative Humidity Accuracy		±3%		Between 10 and 90% RH

### Enclosure Styles

Style	Industrial Head
Orientation	Any
Wall/Ceiling Mounting	2 x 3mm screws
Enclosure Size	85mm dia x 57mm deep
Weight	Approx 70g

## DIMENSIONS

All dimensions are in millimeters



## ORDERING OPTIONS

Example : IWTaT

Please supply

**Part Number:** IWTaT

**Five Channel Configuration Software\*:** IWR-Set

\*Download free user configuration software