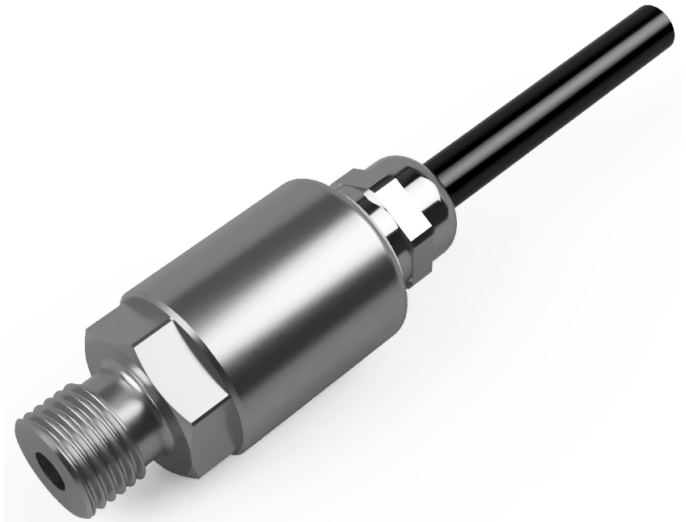


Titan Series

Model: TPTLRd

Low Range Digital
Pressure Sensor



Description:

The Titan TPTLRa series of pressure transducers have been developed using a Stainless Steel piezo-resistive silicon sensing element housed in a robust stainless steel housing. It has the option of an integrated Cable outlet or an M12 x 1, 4-Pin connector both offering up to IP67* ingress protection.

The internal PCB incorporates a versatile microprocessor enabling a range of digital communications including i2c and SPi from a 2.7 - 5.5V dc supply.

Product Highlights:

- Pressure ranges from 50mbar up to 20 Bar
- Accuracy $<\pm 0.25\%$ / $<\pm 0.10\%$
- Responsive stainless steel sensor
- I2c and SPi supported
- High level of temperature compensation
- Choice of mechanical connections
- Cost effective for Industrial and OEM solutions

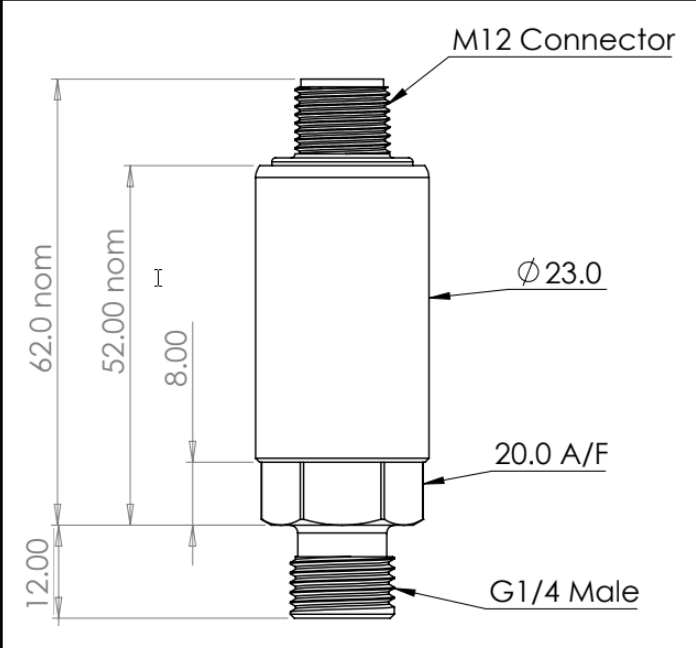
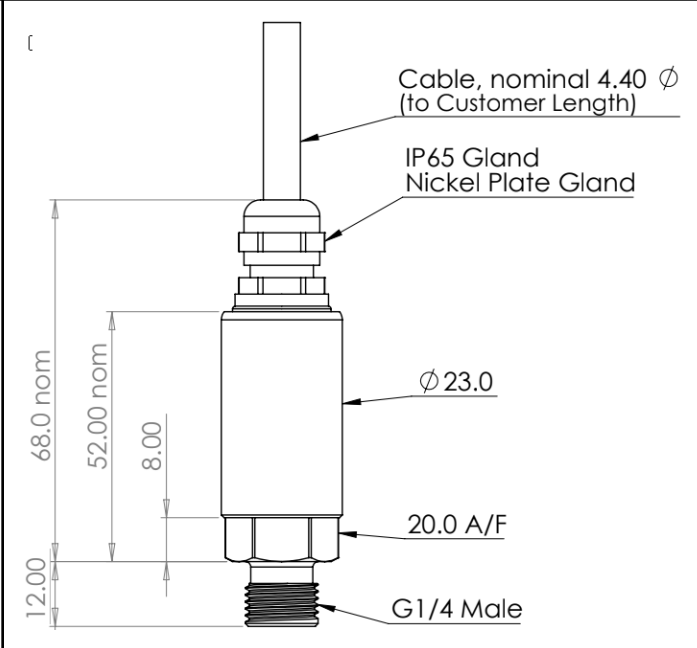


Applications include, but not limited to:

- OEM installations
- Laboratory & Research testing
- Pneumatic testing
- Medical testing / prototyping
- Data loggers
- Aerospace test and research
- Automotive component testing
- Academic research

Specification:

Titan Pressure Sensor - TPTLRd		
Sensor technology	Piezo-resistive, Silicon	
Output Versions	I2c, SPi	
Supply voltage	2.7 - 5.5V dc	
Pressure reference	Gauge (Others available on request)	
Pressure ranges	70, 200, 350, 700, 1000mbar 2, 3.5, 7, 10, 20 Bar	
Safe over pressure	1.5 times rated pressure	
Burst Pressure	3 times rated pressure	
Accuracy (NL&H)	$\leq \pm 0.25\%$ / $\leq \pm 0.10\%$ FS (dependant on range)	
Long Term Stability	$\leq \pm 0.10\%$ FS	
Response Time (ms)	Various Options, Consult Sales	
Ambient temperature	-20 °C to +85 °C	
Media temperature	-40 °C to +125 °C	
Storage temperature	-20 °C to +80 °C	
Temperature effects	Typical thermal zero and span coefficients, TZS: $\pm 0.02\%$ FS/°C, TSS: $< -0.015\%$ /°C	
Media wetted parts	303 & 316 Stainless Steel, Viton	
Permissible media	All fluids compatible with media wetted parts	
Electrical connection	M12 x 1, 4-pin male connector (mating cable sold separately) Cable Outlet with 0.25m screened PVC cable	
Pressure connection	G $\frac{1}{4}$ " DIN 3852 male & female, $\frac{1}{4}$ " NPT male, 7/16-20 UNF-2A male SAE#4 J514	
Environmental Protection	M12 connector	Gauge reference ≤ 50 bar: IP65 Absolute, Sealed Gauge reference or > 50 bar range: IP67
	Cable Outlet	IP65

Dimensional Drawings:

M12 Connector	Cable Outlet
 <p>M12 Connector</p> <p>62.00 nom</p> <p>52.00 nom</p> <p>8.00</p> <p>Ø 23.0</p> <p>20.0 A/F</p> <p>G1/4 Male</p>	 <p>Cable, nominal 4.40 ϕ (to Customer Length)</p> <p>IP65 Gland Nickel Plate Gland</p> <p>68.00 nom</p> <p>52.00 nom</p> <p>8.00</p> <p>Ø 23.0</p> <p>20.0 A/F</p> <p>G1/4 Male</p>
	

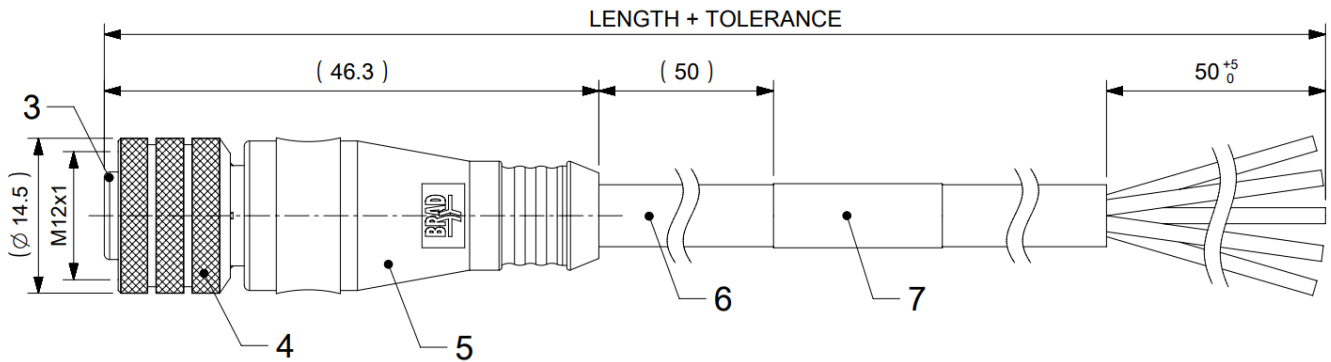


Part Numbering system

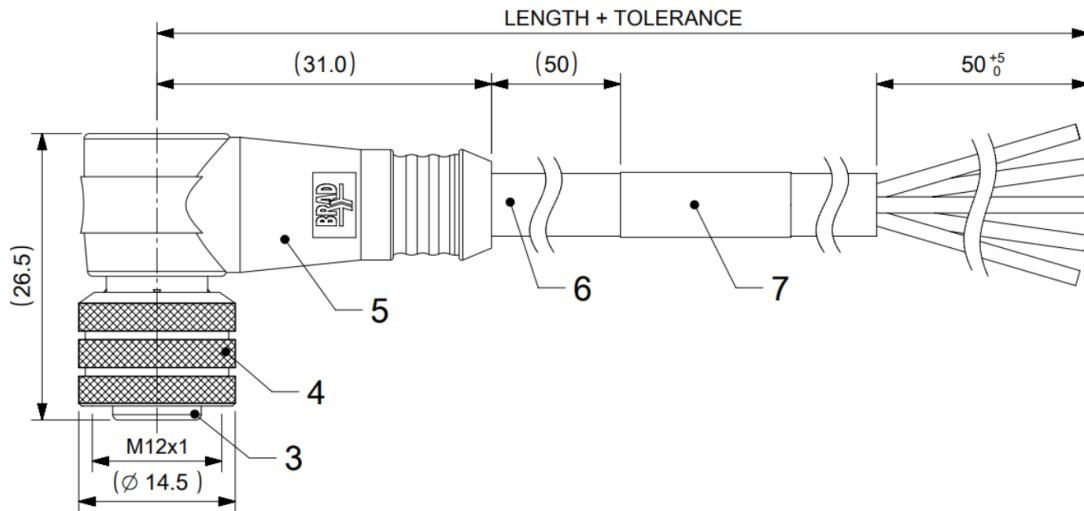
TPTLRd - Titan Low Range Presst TPTLRd - X X - X X - X X - X X X X X - X X												
Output Type												
i2c	A											
SPi	B											
Accuracy Class												
0.25%	A											
0.10%	B											
Electrical Connection												
Connector M12 x 1, 4-pin male		A										
Cable Outlet IP65		B										
Process Connection												
G1/4" male DIN 3852				G								
G1/4" female DIN 3852				F								
1/4" NPT male				N								
7/16-20 UNF-2A male SAE#4 J514				U								
Housing Material												
303 Stainless Steel					A							
316 Stainless Steel					B							
Seal Material												
Viton						V						
(Drinking Water Approved) EPDM						E						
NBR						N						
Pressure Range												
50mbar							0	0	5	0		
200mbar							0	2	0	0		
350mbar							0	3	5	0		
700mbar							0	7	0	0		
1000mbar							1	0	0	0		
2 Bar							2	0	0	0		
3.5 Bar							3	0	0	0		
7 Bar							7	0	0	0		
10 Bar							1	0	0	1		
20 Bar							2	0	0	1		
5 Psi (example)							P	0	0	5		
10 Psi (example)							P	0	1	0		
Pressure Datum												
Gauge											G	
Special Options												
None												0 0

Accessories:

Mating M12 cable cordset - Straight



Mating M12 cable cordset - Right-Angled



Temperature Reducing Adaptor

