



DM 17

Battery Powered Digital Pressure Gauge

stainless steel sensor, welded

class 0.5

Nominal pressure

from 0 ... 6 bar up to 0 ... 600 bar

Special characteristics

- ▶ rotatable housing and display
- ▶ LC display
4.5-digit 7-segment display
- ▶ standard battery CR 2450
operation period > 1.800 h

Functions

- ▶ min / max function with reset function
- ▶ auto-zero
- ▶ setting of pressure unit
(bar, mbar, psi, MPa, mH₂O)
- ▶ automatic switch-off configuration

Option

- ▶ oil and grease free version
for oxygen application

The compact digital pressure gauge DM 17 is battery-powered and has an adjustable housing; it is thus extremely suitable for mobile pressure monitoring. An unusual feature of the DM17 is the welded pressure sensor. An absolute use in oxygen applications is given and strictest requirements on the particle liberty are fulfilled.

The 4.5-digit LC-display indicates the battery status, the measurement value as well as the unit; this enables a fast and precise reading.

Additional functions like setting of pressure unit, auto-zero, min / max values and an automatic switching-off complete the DM 17 profile.

Preferred areas of use are



Mobile Pressure Monitoring
Plant and Machine Engineering
Pneumatics / Hydraulics



O₂ Oxygen application

Input Pressure												
Nominal pressure gauge [bar]	6	10	16	25	40	60	100	160	250	400	600	
Overpressure [bar]	14	35	35	70	140	140	350	350	700	1 200	1 200	
Burst pressure [bar]	28	70	70	140	280	280	700	700	1 400	1 500	1 500	
Vacuum resistance	unlimited											

Performance	
Accuracy	$\leq \pm 0.5\%$ FSO BFSL
Measuring rate	1/sec
Long term stability	$\leq \pm 0.3\%$ FSO / year at reference conditions

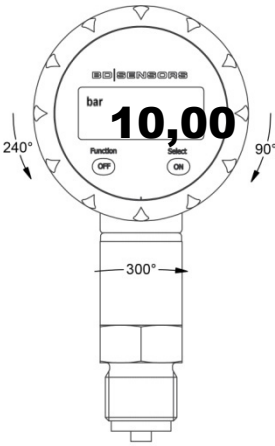
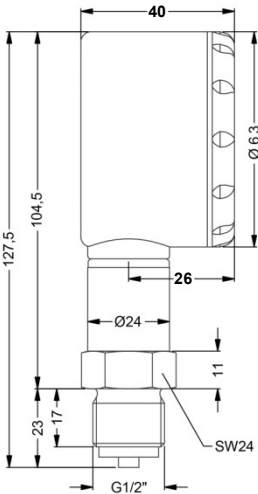
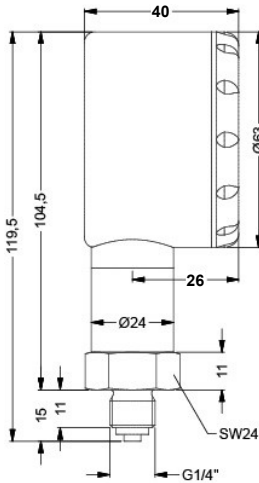
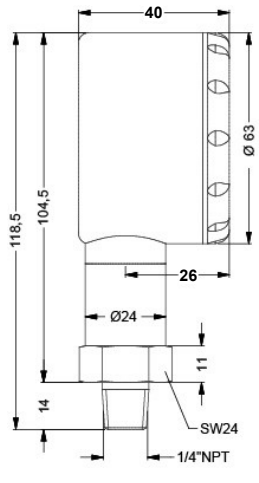
Thermal effects (Offset and Span)	
Tolerance band	$\leq \pm 0.5\%$ FSO / 10 K (typ.) in compensated range 0 ... 50 °C

Permissible temperatures			
Permissible temperatures	medium: -25 ... 85 °C	environment: 0 ... 70 °C	storage: 0 ... 70 °C

Materials	
Pressure port / housing	stainless steel 1.4571 (316Ti) / 1.4301 (304)
Display housing	PA 6.6, Polycarbonate
Seal of sensor	None (welded)
Diaphragm	stainless steel 1.4542 (630)
Media wetted parts	pressure port, diaphragm

Miscellaneous	
Display	LC-Display, visible range 36 x 15 mm; 4.5-digit 7-segment-display, digit size 8.5 mm, range of indication ± 1999
Electromagnetic compatibility	emission and immunity according to EN 61326
Supply	3 V lithium battery (CR 2450)
Data storage	EEPROM (non-volatile)
Ingress protection	IP 65
Installation position	any
Weight	plastic: approx. 150 g
Operational life of battery	min. 1500 h with permanent operation
Mech. operational life	> 100 x 10 ⁶ pressure cycles
CE-conformity	EMC directive 2014/30/EU pressure equipment directive: 2014/68/EU (Modul A) ¹

¹ This directive is only valid for devices with maximum permissible overpressure > 200 bar.

Dimensions (in mm)	
	
G 1/2" EN 837	
	
G 1/4" EN 837	1/4" NPT

The specifications given in this document represent the state of engineering at the time of publishing. We reserve the right to make modifications to the specifications and materials.

Ordering code DM17

DM17

 - - - - - - - - - - -

Pressure																							
	gauge	M 0 3																					
Input		[bar]																					
	6.0		6	0	0	1																	
	10		1	0	0	2																	
	16		1	6	0	2																	
	25		2	5	0	2																	
	40		4	0	0	2																	
	60		6	0	0	2																	
	100		1	0	0	3																	
	160		1	6	0	3																	
	250		2	5	0	3																	
	400		4	0	0	3																	
	600		6	0	0	3																	
	customer		9	9	9																	consult	
Accuracy		[BFSL]																					
	0.5 %								B	8													
	customer								9	9												consult	
Mechanical connection / Seals																							
	G1/2" EN837 / without								2	0	0	2											
	1/4" NPT / without								N	4	0	2											
	G1/4" EN 837 / without								4	0	0	2											
	customer								9	9	9	9										consult	
Pressure port																							
	Stainless steel 1.4571 (316Ti)																				1		
	customer																				9	consult	
Diaphragm																							
	Stainless steel 1.4542 (630)																				Z		
	customer																				9	consult	
Front foil																							
	standard																					1	
	neutral																					N	
	customer																					9	consult
Special version																							
	standard																					0	0
	oxygen application																					0	0
	customer																					9	9

The specifications given in this document represent the state of engineering at the time of publishing. We reserve the right to make modifications to the specifications and materials.